

# EPIC SEAL

is a variable length seal made of high quality plastic polypropylene incorporating a strong and durable stainless steel locking mechanism. The modified design improves the strength of the seal; while, the seal cover is made of translucent plastic to reveal evidence of tampering to the metal jaw of the seal.

## Material

- ◆ Body – Polypropylene (PP)
- ◆ Jaw – Stainless Steel

## Printing & Marking

- ◆ Laser / Hot Stamp / TRI
- ◆ Name / Logo
- ◆ Sequential Numbering
- ◆ Barcode

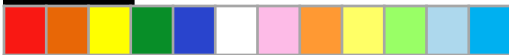
## Applications

- ◆ Postal Bags
- ◆ Cash Bags
- ◆ Oil Tankers

## Properties

- ◆ Average Breaking Strength : 55 kgf

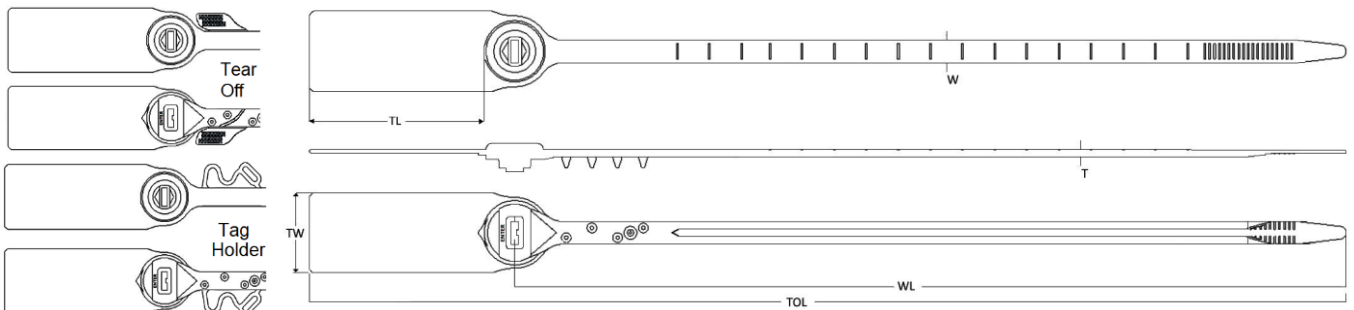
## Colours



**Biodegradable**  
Product can be produced in Biodegradable material, contact us for more information.

Product Code	Dimension						Packaging			
	Total Length TOL (mm)	Working Length WL (mm)	Strap Thickness T (mm)	Strap Width W (mm)	Tag Length TL (mm)	Tag Width TW (mm)	Quantity per mat (pieces)	Quantity per box (pieces)	Weight per box (kg)	Box Dimension L x W x H (mm)
EPIC 350 TO	415	350	2	7	55	25	10	1,000	7.2	575 x 280 x 175
EPIC 350 NTO	415	350	2	7	55	25	10	1,000	7.2	575 x 280 x 175
EPIC 400 TO	465	400	2	7	55	25	10	1,000	7.8	575 x 280 x 175
EPIC 400 NTO	465	400	2	7	55	25	10	1,000	7.8	575 x 280 x 175

Note : NTO – Non Tear Off, TO – Tear Off



**WESGLOW INDUSTRIES SDN BHD (677306-P)**

Lot 59209, Jalan Karburetor 34/21, Seksyen 34, 40470 Shah Alam, Selangor Darul Ehsan, Malaysia.

Tel: +603-5120 1241 / 1242 Fax: +603-5120 1245 Email: sales@wesglow.com www.wesglow.com

- All rights reserved. Reproduction in whole or in part without written permission is prohibited. Products and names of products described here are trade names of Wesglow group of companies. Features, specifications and packing are subjects to change without notice as Wesglow products undergo continuous development and improvement.
- Photos colour chart presented above is for illustration only. Actual colour of finished goods might be slightly difference from the colour chart.